

400

ER-AR ERS-AS Series



mattel[®]
BEST SOLUTIONS IN COMPRESSED AIR

Compact-Versati

ER - AR: BASE VERSIONS

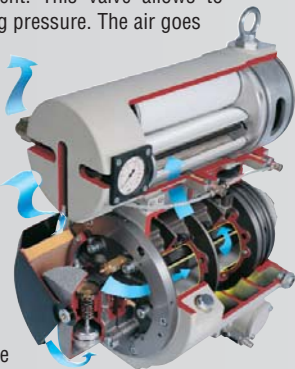
Mattei's rotary vane compressors with installed powers from 4 to 5,5 kW, are the ideal solution for small/medium industry compressed air needs. Available in ER and AR versions, they come complete with automatic flow rate control at constant pressure and automatic on/off pressure switch. The machines have an extremely compact design, are easy to install and offer a reliable operation and constant performance through time.

TECHNOLOGY

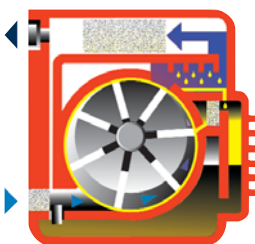
OPERATION PRINCIPLE

The air is sucked through a filter and passes through a modulating proportional valve which regulates air delivery according to air requirement. This valve allows to maintain a constant working pressure. The air goes into the compression chamber where the stator, rotor and blades create a series of vanes (or volumes). The rotor rotates eccentrically to the stator and is characterised by vertical slots in which the blades are placed and are pushed against the stator's wall by centrifugal force.

Lubrication and cooling are guaranteed by an efficient injection system which allows perfect hold and a lower lubricant consumption. A thin film of oil on the stator's wall avoids direct contact of the metal parts giving no wear.



AIR/OIL SEPARATION



The three-stage system for separating the oil from the air assures the oil residue level in the compressed air remains lower than 3 mg/m³. This system offers low oil consumption and a longer lifetime of the coalescence air/oil separation filters.



SOUNDPROOFING CANOPY

AR and AS versions are equipped with a solid soundproofing canopy. The same can be totally opened, to allow easy access for the routine maintenance.



NO MAINTENANCE (THERE ARE NO BEARINGS)



Unlike other compressors, the absence of axial thrust in the Mattei vane compressors eliminates the need for rotating bearings. This allows Mattei compressors to enjoy very long and inexpensive maintenance intervals.

Quiet-Silent Running

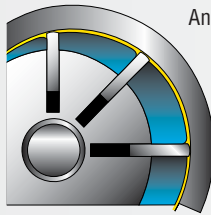


ERS - AS: ON RECEIVER

Mattei on receiver compressors are complete and ready to use compressed air centres. These silent and reliable compressors are available in two different versions: ERS version and AS silenced version. Both models are installed on a horizontal receiver.



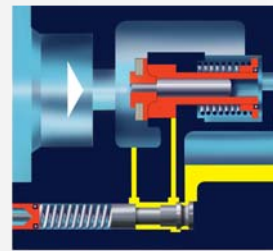
BLADES DESIGNED FOR OVER 100,000 HOURS LIFE*



An oil film on the stator's inside surface prevents wearing of the moving parts, avoiding a direct contact between the stator itself and the blades.

*with Mattei Rotoroil

AUTOMATIC FLOW CONTROL



The special proportioning and modulating intake valve fitted to Mattei compressors allows the compressor to work without a receiver: when the maximum required pressure is reached, the intake valve closes to reduce the quantity of intake air, thus keeping pressure constant. As the line

pressure reduces, the valve automatically opens to keep pressure constant. The compressors of 400 series are equipped with an automatic on/off pressure switch, which allows a combined on/off load and modulation regulation. With this regulation air delivery is automatically adapted to the system demand.

DIRECT COUPLING



The electric motor and the compressor are coupled directly by means of flexible coupling and turn at only 1500 rpm. Direct coupling determines a remarkable "energy saving" because there are no energy losses caused by gears or V belts.

CONTROL PANEL



The control panel is simple and functional: it includes an hour-meter, on and off light buttons and the emergency stop button. It is also equipped with different automatic safety devices: stop for motor overload and thermostat for compressor high temperature.

TECHNICAL FEATURES

Model ER-AR-ERS-AS	Rated motor power kW	Free Air Delivery* m ³ /min	Working Pressure bar	Sound pressure level** dB(A)				Receiver I
				ER	AR	ERS	AS	ERS - AS
4	4	0,53	10	67	65	67	65	270
5	5,5	0,75	10	67	65	67	65	270

(*) Free air delivery as per ISO 1217: 1996 annex "C"

(**) Sound pressure level as per PN8NTC2.3; average value measured from a distance of 1 m

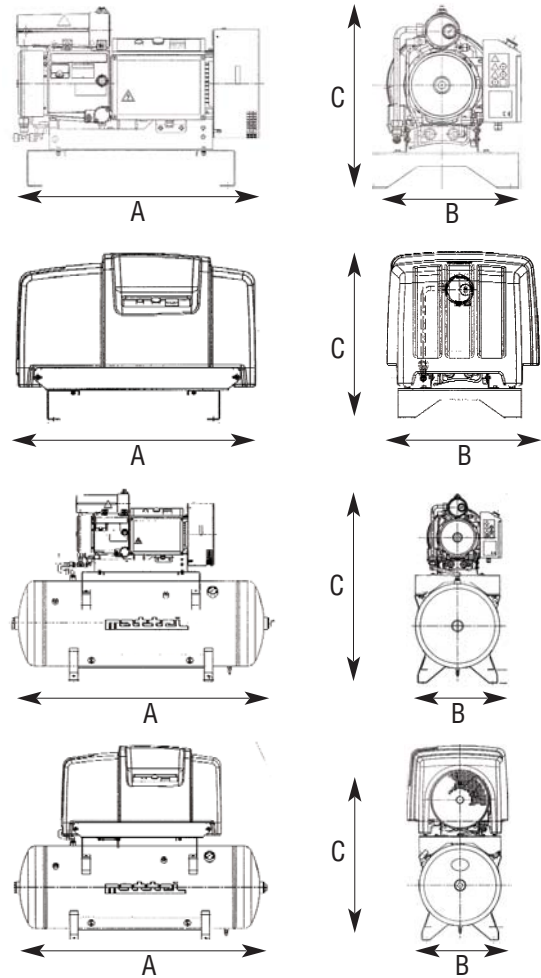
DIMENSIONS (mm) - WEIGHTS (kg)

	A	B	C	Weight (kg)
ER				
4	830	520	610	85
5	830	520	610	90

	A	B	C	Weight (kg)
AR				
4	970	620	680	90
5	970	620	680	95

	A	B	C	Weight (kg)
ERS				
4	1550	520	1130	150
5	1550	520	1130	155

	A	B	C	Weight (kg)
AS				
4	1550	620	1200	155
5	1550	620	1200	160



Ing. Enea Mattei SpA reserves the right to change the data contained in this catalogue at any moment and without notice.

ITALY

ING. ENEA MATTEI SpA
Strada Padana Superiore, 307
20090 VIMODRONE (MI)
Tel +39 02253051 - Fax +39 0225305243
E-MAIL: info@mattei.it

www.mattei.it

FRANCE

MATTEI COMPRESSEURS Sarl
Phone +33 1 48609860 - Fax +33 1 48609870
E-MAIL: infos@mattei.fr

GERMANY

MATTEI KOMPRESSOREN DEUTSCHLAND GmbH
Phone +49 7151 5002560 - Fax +49 7151 5002565
E-MAIL: info@mattei-kompressoren.de

GREAT BRITAIN

MATTEI COMPRESSORS Ltd
Phone +44 (0)1789 450577 - Fax +44 (0)1789 450698
E-MAIL: info@mattei.co.uk

U.S.A.

MATTEI COMPRESSORS Inc
Phone +1 410 5217020 - Fax +1 410 5217024
E-MAIL: info@matteicomp.com

PEOPLE'S REPUBLIC OF CHINA

Zhangjiagang OMIC AIR COMPRESSORS MANUFACTURING Co. Ltd
WFOE by Ing. Enea Mattei SpA - Italy
Tel: +86 512 56951120 - Fax: +86 512 56951121 - E-MAIL: info@matteiomc.cn

RUSSIAN FEDERATION

ING. ENEA MATTEI SpA
Phone +7-495-739 41 90 - Fax +7-495-739 41 90
E-MAIL: mattei@inbox.ru

SINGAPORE

ING. ENEA MATTEI SpA
Phone +65 6741 8187 - Fax. +65 6741 6826
E-MAIL: mattei@singnet.com.sg

SPAIN

ING. ENEA MATTEI SpA
Phone +34 93 435 03 94 - Fax +34 93 455 26 76
E-MAIL: info@mattei.it



COMPANY WITH QUALITY MANAGEMENT
SYSTEM CERTIFIED BY DNV
= ISO 9001:2008 =